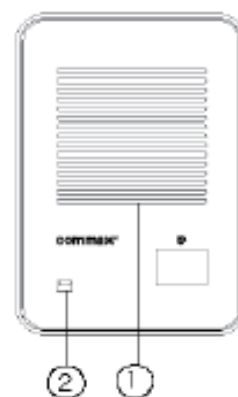
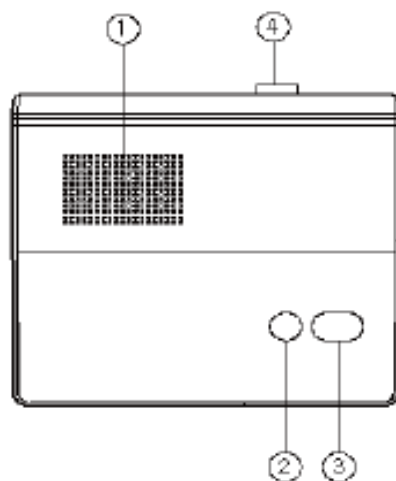


Control & function

MASTER (HF-8CM)

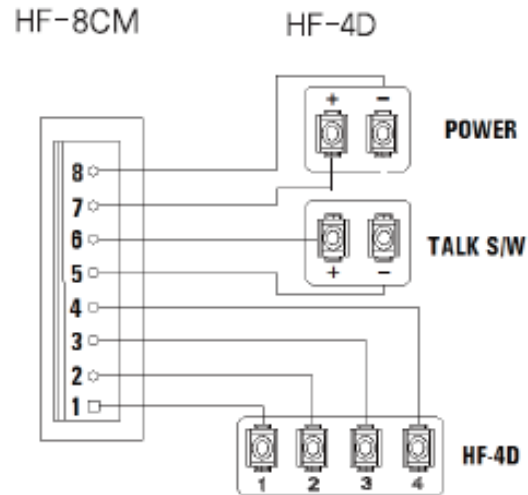
SUB STATION(HF-4D)



1. SPEAKER
2. POWER S/W
3. AUTO / MANUAL BUTTON
4. C-MIC CONNECT TERMINAL

1. SPEAKER
2. MIC

Wiring



Instruction

1. MASTER(HF-8CM)

- 1) Automatic communication : Select AUTO, Position of AUTO / MANUAL button
And then communicate freely without operate button
- 2) Normal communication : Select Normal position of AUTO / MANUAL button,
You may listen from substation
(When you connect Normal s/w Ref, Page 2 Wiring)
If you put on External button, It can transmit,
If you put off External button, It can receive only

1. Sub Station(HF-4D)

Communicate with Master(HF-8CM) without operation,

Specifications

- Operating voltage : DC 15~ 24V (2A)
- Max, Consumption : 200mA
- Effective Distance : 80M/ \varnothing 0,65-0,5m/m
(We recommend to use Trans Power Supply of
15~ 24V, as identical with RF-2A)